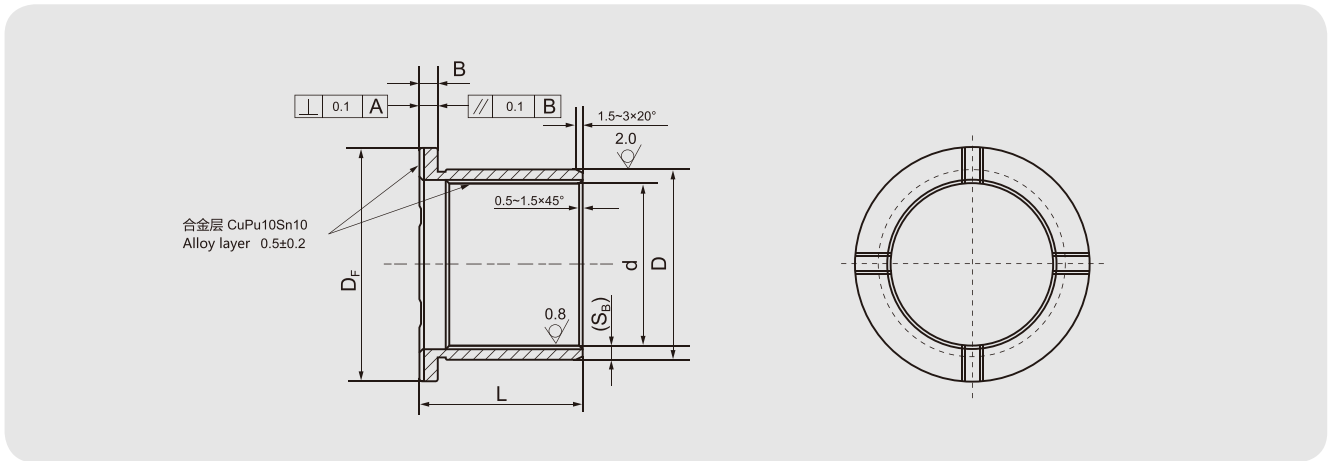


## KDB 301F 双金属摩擦焊接轴承 Friction welding bimetal bushing



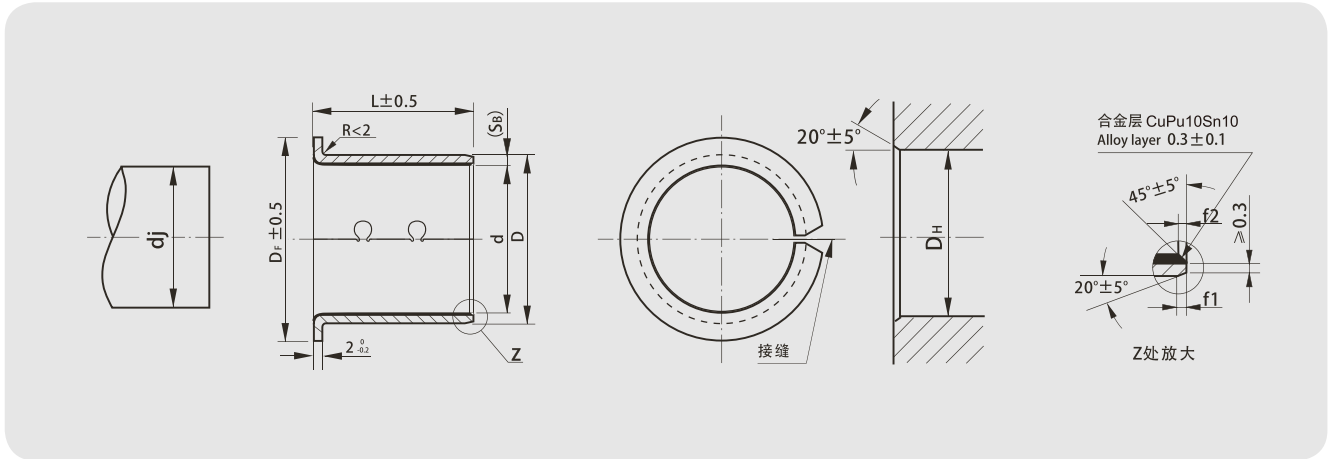
$\varnothing D_F \pm 0.5$	$B \begin{smallmatrix} 0 \\ -0.08 \end{smallmatrix}$	$\varnothing D \begin{smallmatrix} +0.17 \\ +0.12 \end{smallmatrix}$	$\varnothing d \begin{smallmatrix} +0.25 \\ +0.20 \end{smallmatrix}$	$L \pm 0.8$	参考壁厚 $S_B \begin{smallmatrix} -0.05 \\ -0.10 \end{smallmatrix}$
42	3.5	37	30	30	3.5
45	3	35	30	23	3
44	3.5	39	32	35	3.5
47	3.5	39	32	50	3.5
45	3.5	40	33	33	3.5
52	3	41	35	35	3
55	3.5	42	35	35	3.5
55	3.5	45	38	35	3.5
55	3.5	45	38	40	3.5
60	3	41	35	42	3
60	3	46	40	62	3
63	3.5	47	40	40	3.5
65	3.5	52	45	40	3.5
68	3.5	54	47	35	3.5
70	3.5	54	47	40	3.5
70	3.5	57	50	48	3.5
72	3.5	57	50	45	3.5
72	3.5	57	50	50	3.5
75	3.5	57	50	50	3.5
77	3	60	54	55	3
83	3.5	66	59	53	3.5
85	3.5	65	58	60	3.5
87	3.5	67	60	53	3.5
87	3.5	67	60	60	3.5

$\varnothing D_F \pm 0.5$	$B \begin{smallmatrix} 0 \\ -0.08 \end{smallmatrix}$	$\varnothing D \begin{smallmatrix} +0.17 \\ +0.12 \end{smallmatrix}$	$\varnothing d \begin{smallmatrix} +0.25 \\ +0.20 \end{smallmatrix}$	$L \pm 0.8$	参考壁厚 $S_B \begin{smallmatrix} -0.05 \\ -0.10 \end{smallmatrix}$
87	3.5	67	60	65	3.5
87	4	68	60	60	4
94	3.5	72	65	60	3.5
87	3.5	72	65	65	3.5
87.5	1.95	69.12	65.22	64.5	2
88	3.5	67	60	60	3.5
88	3.5	72	65	65	3.5
92	3.5	77	70	67	3.5
93	3.5	75	68	60	3.5
94	3.5	77	70	70	3.5
95	3.5	77	70	65	3.5
95	4	78	70	70	4
97	3.48	77.14	70.18	62	3.5
97	3.5	82	75	74	3.5
100	5	85	75	70	5
103	3.525	70.8	63.75	73	3.5
105	3.5	82	75	75	3.5
105	3.5	87	80	70	3.5
107	4	83	75	74	4
108	3.5	72	65	75	3.5
108	3.5	77	70	98	3.5
108	5	80	70	90	5
115	5	100	90	75	5
128	3.8	92.6	85	103	4

以上规格推荐配合钢基轮体内孔公差 $\varnothing (0 \sim +0.04)$ ，推荐配合轴公差 $\varnothing (-0.13 \sim -0.16)$ 。  
如果轮体材料是铸铁件，轴承内、外径公差需要特殊定制。

KDB30

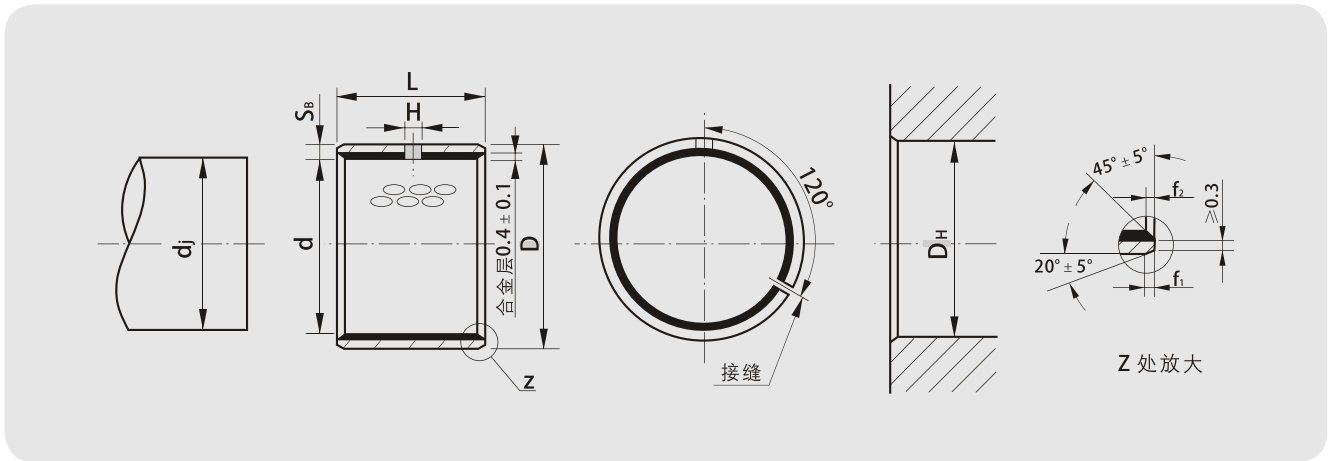
## KDB301F 系列直接翻边轴承 KDB301F Series Metric Flange Bushing



型号规格 Designztion	相配轴径 Shaft Dia. Ød <sub>j</sub>	相配座孔 Housing ØD <sub>H</sub>	法兰 Flange ØDF	压装后理论内径 Installed Bushing I.D.Ød	高度 High L	外径 O.D. ØD	参考壁厚 S <sub>B</sub>
KDB301F3028	30 <sup>-0.10</sup> <sub>-0.13</sub>	34H7 <sup>+0.025</sup> <sub>0</sub>	43	30 <sup>+0.125</sup> <sub>0</sub>	28	34 <sup>+0.200</sup> <sub>+0.140</sub>	2 <sup>0</sup> <sub>-0.05</sub>
KDB301F3537	35 <sup>-0.10</sup> <sub>-0.13</sub>	39H7 <sup>+0.025</sup> <sub>0</sub>	48	35 <sup>+0.125</sup> <sub>0</sub>	37	39 <sup>+0.200</sup> <sub>+0.140</sub>	2 <sup>0</sup> <sub>-0.05</sub>
KDB301F4039	40 <sup>-0.10</sup> <sub>-0.13</sub>	44H7 <sup>+0.025</sup> <sub>0</sub>	57	40 <sup>+0.125</sup> <sub>0</sub>	39	44 <sup>+0.200</sup> <sub>+0.140</sub>	2 <sup>0</sup> <sub>-0.05</sub>
KDB301F4545	45 <sup>-0.10</sup> <sub>-0.13</sub>	49H7 <sup>+0.025</sup> <sub>0</sub>	65	45 <sup>+0.125</sup> <sub>0</sub>	45	49 <sup>+0.200</sup> <sub>+0.140</sub>	2 <sup>0</sup> <sub>-0.05</sub>
KDB301F5050	50 <sup>-0.10</sup> <sub>-0.13</sub>	54H7 <sup>+0.030</sup> <sub>0</sub>	70	50 <sup>+0.13</sup> <sub>0</sub>	50	54 <sup>+0.200</sup> <sub>+0.140</sub>	2 <sup>0</sup> <sub>-0.05</sub>
KDB301F5555	55 <sup>-0.10</sup> <sub>-0.13</sub>	59H7 <sup>+0.030</sup> <sub>0</sub>	75	55 <sup>+0.13</sup> <sub>0</sub>	55	59 <sup>+0.200</sup> <sub>+0.140</sub>	2 <sup>0</sup> <sub>-0.05</sub>
KDB301F6064.5	60 <sup>-0.13</sup> <sub>-0.16</sub>	64H7 <sup>+0.030</sup> <sub>0</sub>	82	60 <sup>+0.19</sup> <sub>+0.06</sub>	64.5	64 <sup>+0.260</sup> <sub>+0.200</sub>	2 <sup>-0.03</sup> <sub>-0.08</sub>
KDB301F6565	65 <sup>-0.13</sup> <sub>-0.16</sub>	69H7 <sup>+0.030</sup> <sub>0</sub>	87	65 <sup>+0.19</sup> <sub>+0.06</sub>	65	69 <sup>+0.280</sup> <sub>+0.220</sub>	2 <sup>-0.03</sup> <sub>-0.08</sub>
KDB301F7070	70 <sup>-0.13</sup> <sub>-0.16</sub>	74H7 <sup>+0.030</sup> <sub>0</sub>	92	70 <sup>+0.19</sup> <sub>+0.06</sub>	70	74 <sup>+0.280</sup> <sub>+0.220</sub>	2 <sup>-0.03</sup> <sub>-0.08</sub>
KDB301F7574.5	75 <sup>-0.13</sup> <sub>-0.16</sub>	79H7 <sup>+0.030</sup> <sub>0</sub>	97	75 <sup>+0.19</sup> <sub>+0.06</sub>	74.5	79 <sup>+0.350</sup> <sub>+0.290</sub>	2 <sup>-0.03</sup> <sub>-0.08</sub>

标注举例: Label example	壁厚 Thickness S <sub>B</sub>	外倒角 Outside Chamfer f1	内倒角 Inner Chamfer f2
代号 Type KDB301F	内径 I.D. 75	外径 O.D. 74.5	
	2.0	1.2±0.4	0.6±0.3

## KDB301 系列 ISO3547(DIN1494) 标准公制轴承 KDB301 Series ISO3547(DIN1494) Normal Metric Bushing



型号规格 Designation	相配轴径 Shaft Dia Ø dj	相配座孔 Housing Ø DH	压装后理论内径 Installed Bushing I.D Ø d	高度 High L	外径 O.D. Ø D	参考壁厚 Wall Thickness S <sub>B</sub>	油孔 Oil hole ØH
KDB301 1010	10 h8 <sub>-0.022</sub>	12 H7 <sup>+0.018</sup> <sub>0</sub>	10 <sup>+0.145</sup> <sub>+0.010</sub>	10±0.25	12 <sup>+0.065</sup> <sub>+0.030</sub>	1 <sup>-0.005</sup> <sub>-0.065</sub>	4
KDB301 1015				15±0.25			
KDB301 1020				20±0.25			
KDB301 1210	12 h8 <sub>-0.027</sub>	14 H7 <sup>+0.018</sup> <sub>0</sub>	12 <sup>+0.148</sup> <sub>+0.010</sub>	10±0.25	14 <sup>+0.065</sup> <sub>+0.030</sub>	1 <sup>-0.005</sup> <sub>-0.065</sub>	
KDB301 1215				15±0.25			
KDB301 1220				20±0.25			
KDB301 1225				25±0.25			
KDB301 1410	14 h8 <sub>-0.027</sub>	16 H7 <sup>+0.018</sup> <sub>0</sub>	14 <sup>+0.148</sup> <sub>+0.010</sub>	10±0.25	16 <sup>+0.065</sup> <sub>+0.030</sub>	1 <sup>-0.005</sup> <sub>-0.065</sub>	
KDB301 1415				15±0.25			
KDB301 1420				20±0.25			
KDB301 1425				25±0.25			
KDB301 1510	15 h8 <sub>-0.027</sub>	17 H7 <sup>+0.018</sup> <sub>0</sub>	15 <sup>+0.148</sup> <sub>+0.010</sub>	10±0.25	17 <sup>+0.065</sup> <sub>+0.030</sub>	1 <sup>-0.005</sup> <sub>-0.065</sub>	
KDB301 1515				15±0.25			
KDB301 1520				20±0.25			
KDB301 1525				25±0.25			
KDB301 1610	16 h8 <sub>-0.027</sub>	18 H7 <sup>+0.018</sup> <sub>0</sub>	16 <sup>+0.148</sup> <sub>+0.010</sub>	10±0.25	18 <sup>+0.065</sup> <sub>+0.030</sub>	1 <sup>-0.005</sup> <sub>-0.065</sub>	
KDB301 1615				15±0.25			
KDB301 1620				20±0.25			
KDB301 1625				25±0.25			
KDB301 1815	18 h8 <sub>-0.027</sub>	20 H7 <sup>+0.021</sup> <sub>0</sub>	18 <sup>+0.151</sup> <sub>+0.010</sub>	15±0.25	20 <sup>+0.075</sup> <sub>+0.035</sub>	1 <sup>-0.005</sup> <sub>-0.065</sub>	
KDB301 1820				20±0.25			
KDB301 1825				25±0.25			
KDB301 2010	20 h8 <sub>-0.033</sub>	23 H7 <sup>+0.021</sup> <sub>0</sub>	20 <sup>+0.161</sup> <sub>+0.020</sub>	10±0.25	23 <sup>+0.075</sup> <sub>+0.035</sub>	1.5 <sup>-0.01</sup> <sub>-0.07</sub>	
KDB301 2015				15±0.25			
KDB301 2020				20±0.25			
KDB301 2025				25±0.25			
KDB301 2030				30±0.25			
KDB301 2215	22 h8 <sub>-0.033</sub>	25 H7 <sup>+0.021</sup> <sub>0</sub>	22 <sup>+0.161</sup> <sub>+0.020</sub>	15±0.25	25 <sup>+0.075</sup> <sub>+0.035</sub>	1.5 <sup>-0.01</sup> <sub>-0.07</sub>	6

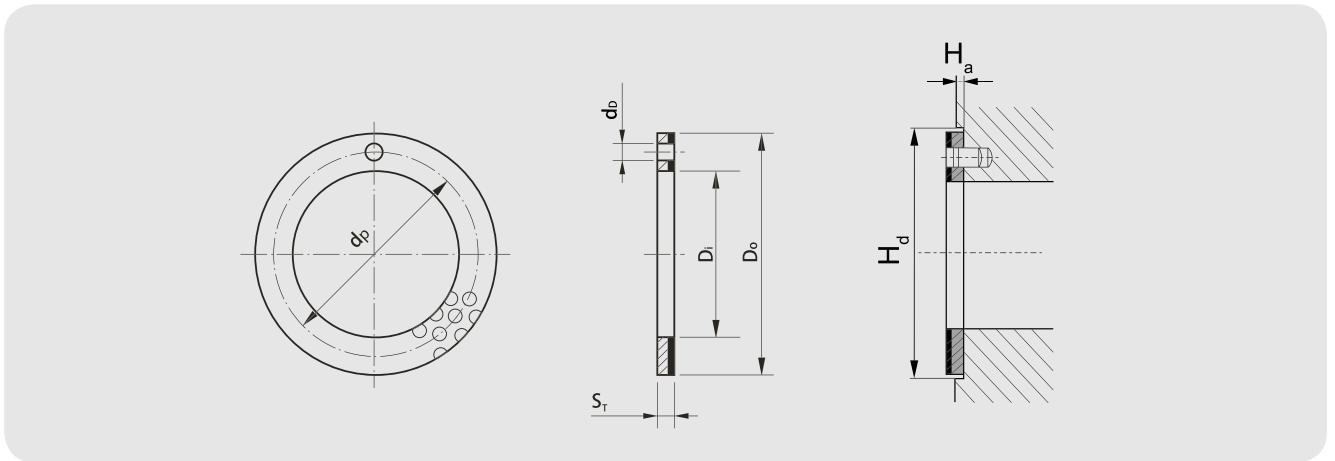
## KDB301 系列 ISO3547(DIN1494) 标准公制轴承 KDB301 Series ISO3547(DIN1494) Normal Metric Bushing

型号规格 Designation	相配轴径 Shaft Dia Ø dj	相配座孔 Housing Ø DH	压装后理论内径 Installed Bushing I.D Ø d	高度 High L	外径 O.D. Ø D	壁厚 Wall Thickness S <sub>B</sub>	油孔 Oil hole ØH
KDB301 2220	22 h8 $\begin{smallmatrix} 0 \\ -0.033 \end{smallmatrix}$	25 H7 $\begin{smallmatrix} +0.021 \\ 0 \end{smallmatrix}$	22 $\begin{smallmatrix} +0.161 \\ +0.020 \end{smallmatrix}$	20±0.25	25 $\begin{smallmatrix} +0.075 \\ +0.035 \end{smallmatrix}$	1.5 $\begin{smallmatrix} -0.01 \\ -0.07 \end{smallmatrix}$	6
KDB301 2225				25±0.25			
KDB301 2230				30±0.25			
KDB301 2515	25 h8 $\begin{smallmatrix} 0 \\ -0.033 \end{smallmatrix}$	28 H7 $\begin{smallmatrix} +0.021 \\ 0 \end{smallmatrix}$	25 $\begin{smallmatrix} +0.161 \\ +0.020 \end{smallmatrix}$	15±0.25	28 $\begin{smallmatrix} +0.075 \\ +0.035 \end{smallmatrix}$	1.5 $\begin{smallmatrix} -0.01 \\ -0.07 \end{smallmatrix}$	
KDB301 2520				20±0.25			
KDB301 2525				25±0.25			
KDB301 2530				30±0.25			
KDB301 2815	28 h8 $\begin{smallmatrix} 0 \\ -0.033 \end{smallmatrix}$	32 H7 $\begin{smallmatrix} +0.025 \\ 0 \end{smallmatrix}$	28 $\begin{smallmatrix} +0.185 \\ +0.040 \end{smallmatrix}$	15±0.25	32 $\begin{smallmatrix} +0.085 \\ +0.045 \end{smallmatrix}$	2 $\begin{smallmatrix} -0.02 \\ -0.08 \end{smallmatrix}$	
KDB301 2820				20±0.25			
KDB301 2825				25±0.25			
KDB301 2830				30±0.25			
KDB301 3015	30 h8 $\begin{smallmatrix} 0 \\ -0.033 \end{smallmatrix}$	34 H7 $\begin{smallmatrix} +0.025 \\ 0 \end{smallmatrix}$	30 $\begin{smallmatrix} +0.185 \\ +0.040 \end{smallmatrix}$	15±0.25	34 $\begin{smallmatrix} +0.085 \\ +0.045 \end{smallmatrix}$	2 $\begin{smallmatrix} -0.02 \\ -0.08 \end{smallmatrix}$	
KDB301 3020				20±0.25			
KDB301 3025				25±0.25			
KDB301 3030				30±0.25			
KDB301 3040				40±0.25			
KDB301 3220	32 h8 $\begin{smallmatrix} 0 \\ -0.039 \end{smallmatrix}$	36 H7 $\begin{smallmatrix} +0.025 \\ 0 \end{smallmatrix}$	32 $\begin{smallmatrix} +0.185 \\ +0.040 \end{smallmatrix}$	20±0.25	36 $\begin{smallmatrix} +0.085 \\ +0.045 \end{smallmatrix}$	2 $\begin{smallmatrix} -0.02 \\ -0.08 \end{smallmatrix}$	
KDB301 3230				30±0.25			
KDB301 3240				40±0.25			
KDB301 3520	35 h8 $\begin{smallmatrix} 0 \\ -0.039 \end{smallmatrix}$	39 H7 $\begin{smallmatrix} +0.025 \\ 0 \end{smallmatrix}$	35 $\begin{smallmatrix} +0.185 \\ +0.040 \end{smallmatrix}$	20±0.25	39 $\begin{smallmatrix} +0.085 \\ +0.045 \end{smallmatrix}$	2 $\begin{smallmatrix} -0.02 \\ -0.08 \end{smallmatrix}$	
KDB301 3530				30±0.25			
KDB301 3540				40±0.25			
KDB301 3550				50±0.25			
KDB301 4020	40 h8 $\begin{smallmatrix} 0 \\ -0.039 \end{smallmatrix}$	44 H7 $\begin{smallmatrix} +0.025 \\ 0 \end{smallmatrix}$	40 $\begin{smallmatrix} +0.185 \\ +0.040 \end{smallmatrix}$	20±0.25	44 $\begin{smallmatrix} +0.085 \\ +0.045 \end{smallmatrix}$	2 $\begin{smallmatrix} -0.02 \\ -0.08 \end{smallmatrix}$	
KDB301 4030				30±0.25			
KDB301 4040				40±0.25			
KDB301 4050				50±0.25			
KDB301 4530	45 h8 $\begin{smallmatrix} 0 \\ -0.039 \end{smallmatrix}$	50 H7 $\begin{smallmatrix} +0.025 \\ 0 \end{smallmatrix}$	45 $\begin{smallmatrix} +0.225 \\ +0.080 \end{smallmatrix}$	30±0.25	50 $\begin{smallmatrix} +0.085 \\ +0.045 \end{smallmatrix}$	2.5 $\begin{smallmatrix} -0.04 \\ -0.10 \end{smallmatrix}$	8
KDB301 4540				40±0.25			
KDB301 4545				45±0.25			
KDB301 4550				50±0.25			

标注举例: Label example			壁厚 Wall Thickness S <sub>B</sub>	外倒角 Outside Chamfer f <sub>1</sub>	内倒角 Inner Chamfer f <sub>2</sub>
代号 Type	内径 I.D.	高度 High	1.0	0.6±0.3	Max0.4
KDB301	45	50	1.5	0.6±0.4	0.4±0.3
			2.0	1.2±0.4	0.6±0.3
			2.5	1.8±0.6	0.6±0.4

## KDB301 系列 ISO3547(DIN1494) 标准公制垫片

### KDB301 Series ISO3547(DIN1494) Normal Metric Washer



型号规格 Designation	内径 I.D. $\varnothing D_i$	外径 O.D. $\varnothing D_o$	壁厚 Wall Thickness $S_T$	中径 Middle diameter $\varnothing d_p$	定位孔 Pilot hole $\varnothing d_D$	安装座孔 Assembling house $\varnothing H_d$	安装深度 Recess Depth $H_a$
KDB301 W10	12 $^{+0.25}_0$	24 $^0_{-0.25}$	2 $^0_{-0.05}$	18±0.12	2 $^{+0.375}_{-0.125}$	24 $^{+0.12}_0$	1.0 $^{+0.20}_{-0.05}$
KDB301 W12	14 $^{+0.25}_0$	26 $^0_{-0.25}$		20±0.12		26 $^{+0.12}_0$	
KDB301 W14	16 $^{+0.25}_0$	30 $^0_{-0.25}$		22±0.12		30 $^{+0.12}_0$	
KDB301 W16	18 $^{+0.25}_0$	32 $^0_{-0.25}$		25±0.12		32 $^{+0.12}_0$	
KDB301 W18	20 $^{+0.25}_0$	36 $^0_{-0.25}$		28±0.12	3 $^{+0.375}_{-0.125}$	36 $^{+0.12}_0$	
KDB301 W20	22 $^{+0.25}_0$	38 $^0_{-0.25}$		30±0.12		38 $^{+0.12}_0$	
KDB301 W22	24 $^{+0.25}_0$	42 $^0_{-0.25}$		33±0.12		42 $^{+0.12}_0$	
KDB301 W24	26 $^{+0.25}_0$	44 $^0_{-0.25}$		35±0.12		44 $^{+0.12}_0$	
KDB301 W25	28 $^{+0.25}_0$	48 $^0_{-0.25}$		38±0.12	4 $^{+0.375}_{-0.125}$	48 $^{+0.12}_0$	
KDB301 W30	32 $^{+0.25}_0$	54 $^0_{-0.25}$		43±0.12		54 $^{+0.12}_0$	
KDB301 W35	38 $^{+0.25}_0$	62 $^0_{-0.25}$		50±0.12		62 $^{+0.12}_0$	
KDB301 W40	42 $^{+0.25}_0$	66 $^0_{-0.25}$		54±0.12		66 $^{+0.12}_0$	
KDB301 W45	48 $^{+0.25}_0$	74 $^0_{-0.25}$	2 $^0_{-0.05}$	61±0.12	74 $^{+0.12}_0$	1.5 $^{+0.20}_{-0.05}$	
KDB301 W50	52 $^{+0.25}_0$	78 $^0_{-0.25}$		65±0.12	78 $^{+0.12}_0$		

标注举例:  
Label example

代号      轴径  
Type      Shaft diameter  
KDB301W    50